

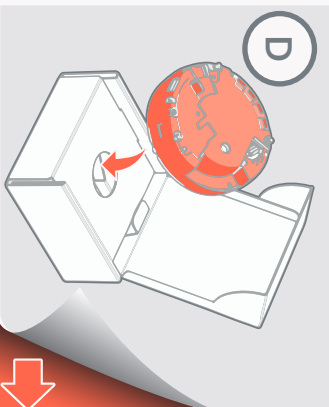
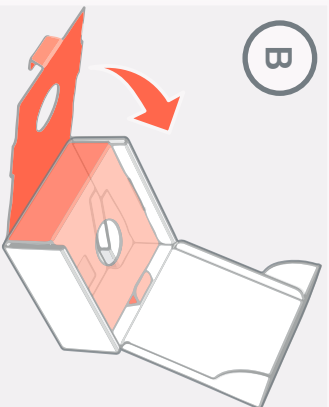
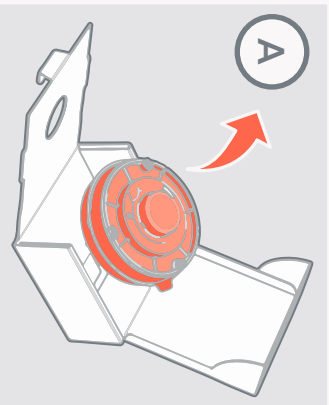
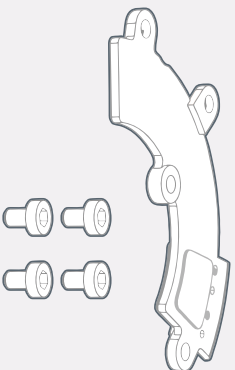
QUICK START GUIDE

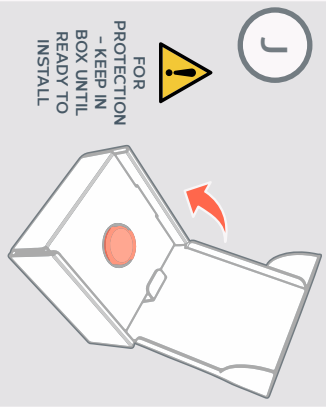
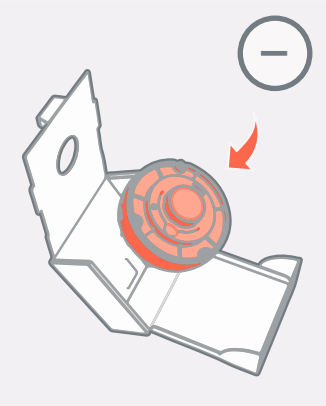
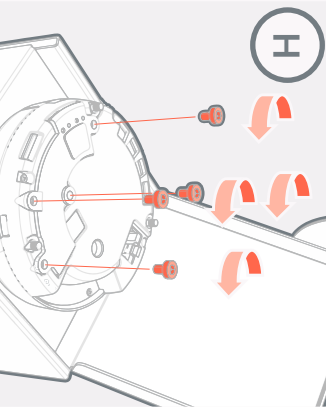
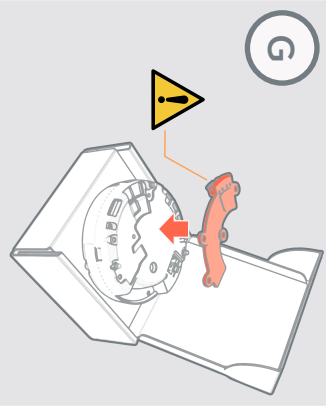
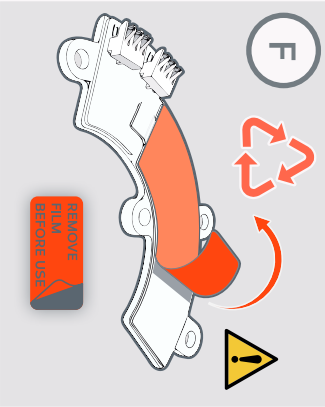
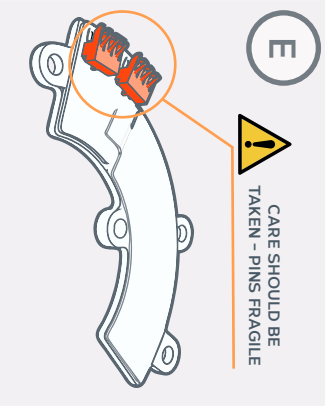
ONCAM C-SERIES
CAMERA
HEATER MODULE



BOX CONTENTS*	
ITEM	QUANTITY
HEATER	1
SCREW	4

*ONCAM C-SERIES CAMERA MODULE
REQUIRED (SOLD SEPARATELY)





FOR MORE INFORMATION AND FIRST TIME SET UP GO TO
[HTTPS://WWW.ONCAMGRANDEEYE.COM/ONCAM-C-SERIES-HEATER-SETUP](https://www.oncamgrandeeye.com/oncam-c-series-heater-setup)



© COPYRIGHT 2020 ONVU TECHNOLOGIES AG
 ALL RIGHTS RESERVED ONCAM IS A TRADING NAME OF ONVU TECHNOLOGIES AG
 SUBJECT TO CHANGE WITHOUT NOTICE

REVISION 20

006-0064-0501