

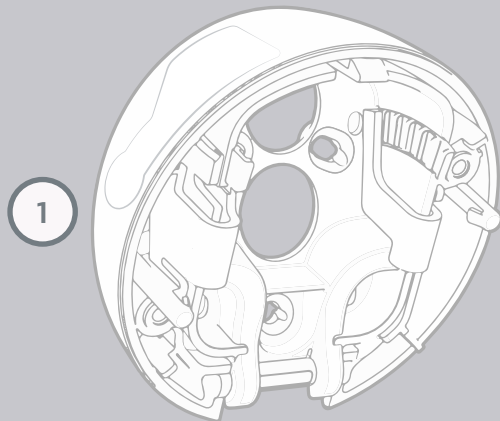
QUICK START GUIDE

ONCAM C-SERIES
INDOOR PANORAMIC+
TILT MOUNT
RJ45 AND PUNCH DOWN
OPTIONS



BOX CONTENTS

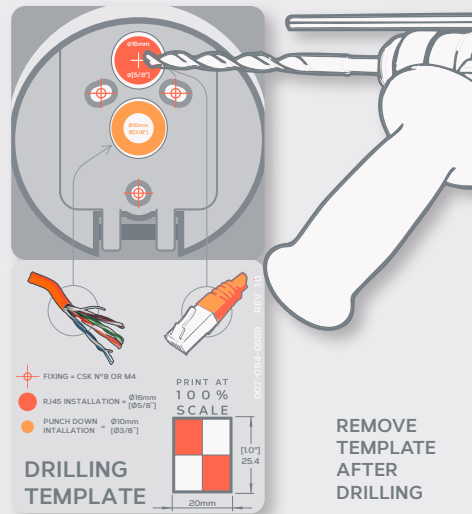
Nº	DESCRIPTION
1	TILT MOUNT
2	HEX TOOL *NOT SHOWN

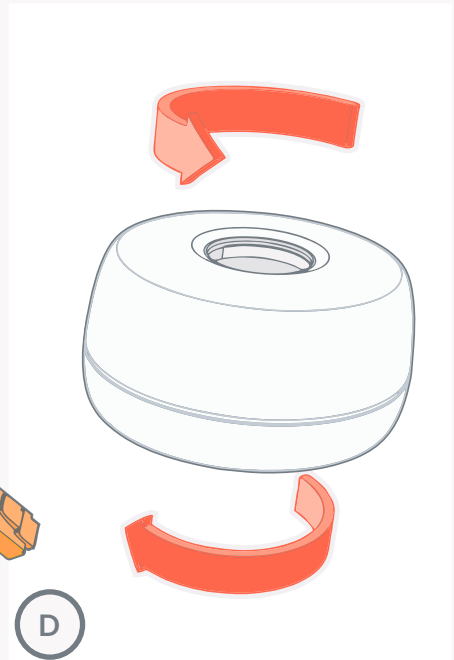
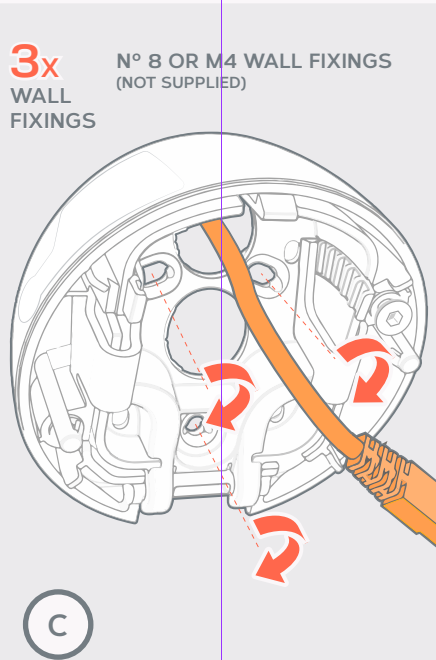
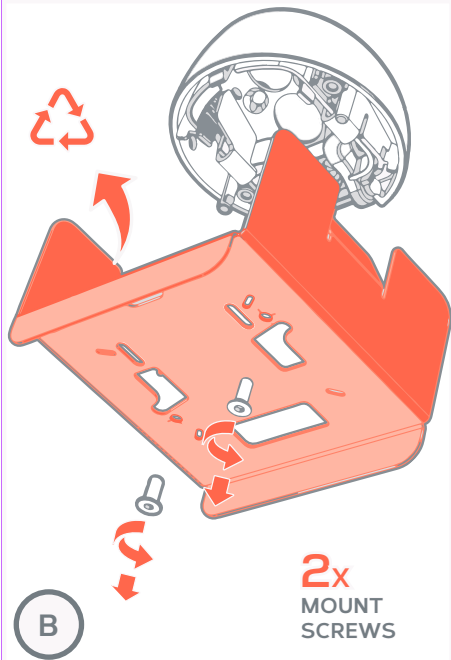


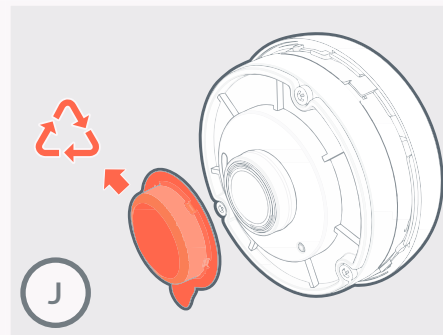
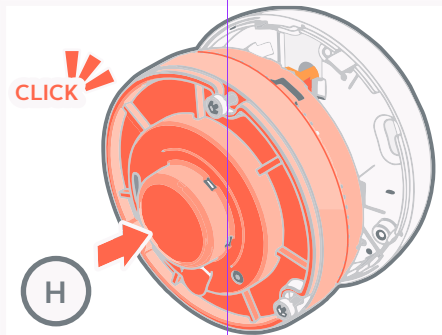
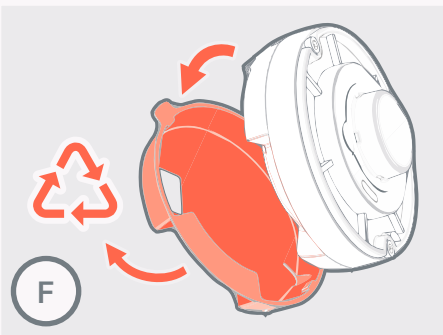
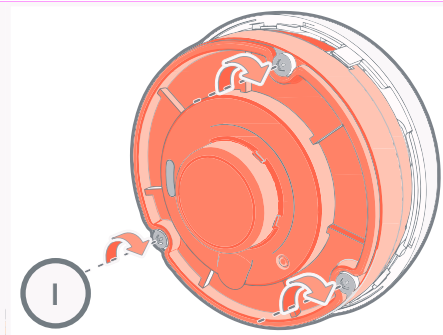
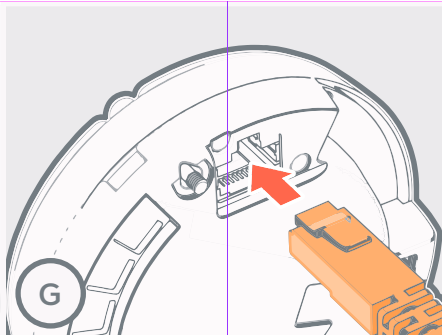
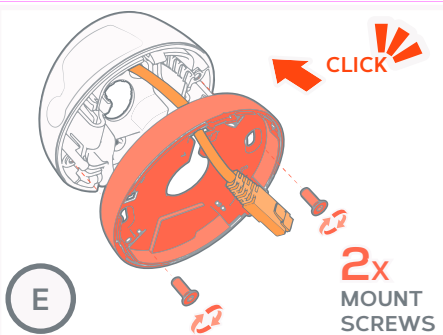
*ONCAM C-SERIES INDOOR CAMERA REQUIRED TO COMPLETE INSTALLATION (SOLD SEPARATELY)

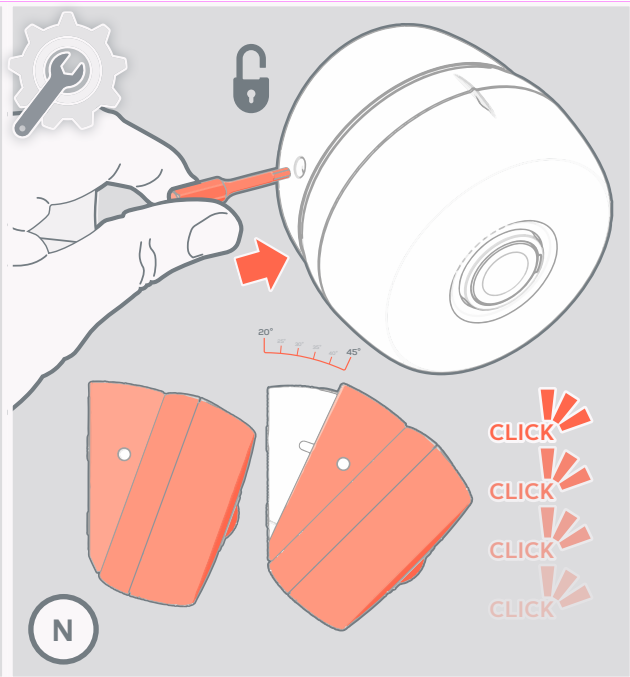
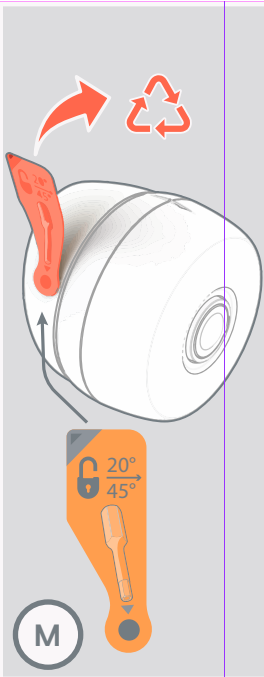
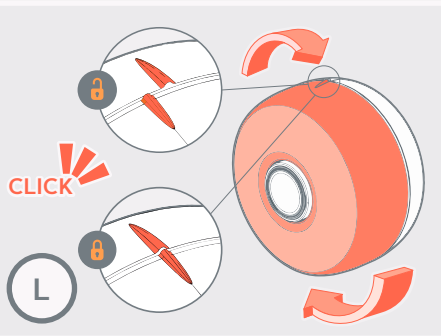
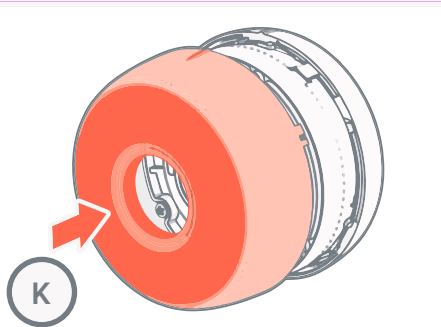
RJ45

INSTALLATION





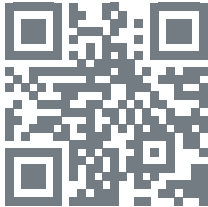




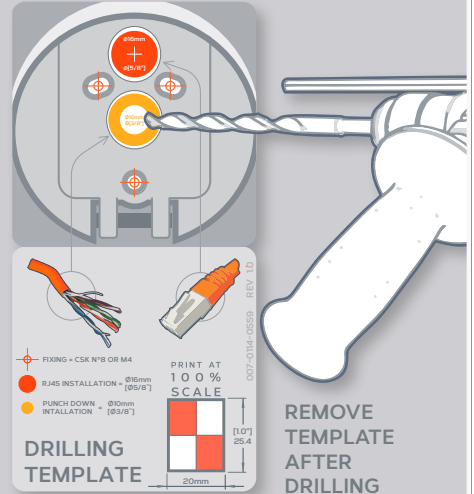


FOR MORE INFORMATION AND FIRST TIME SET UP GO TO:

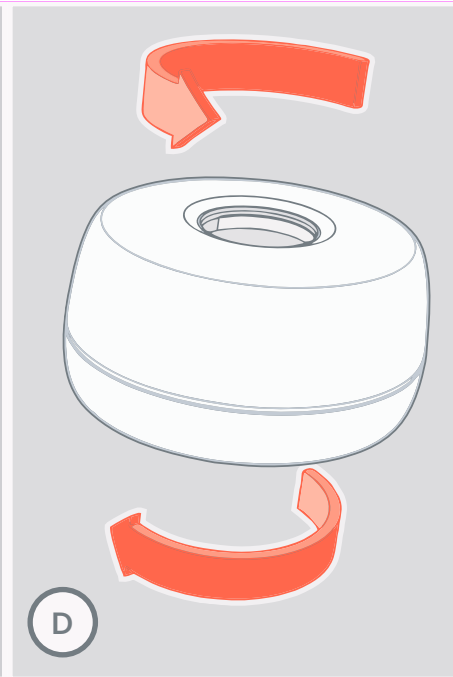
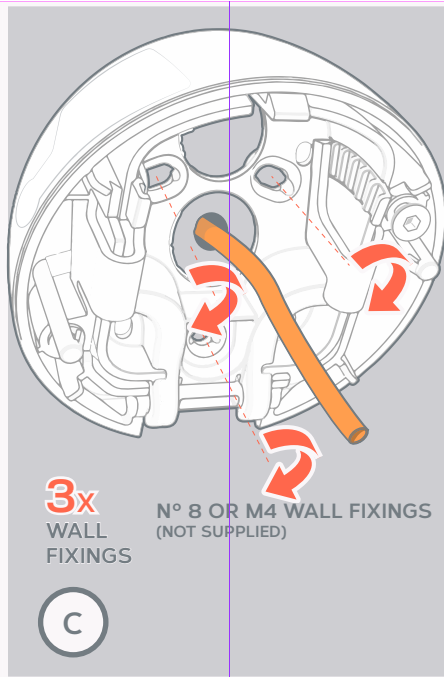
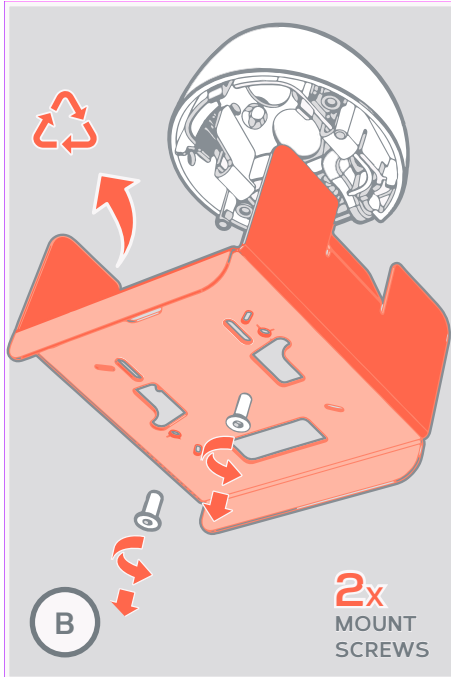
<https://bit.ly/3rsvl0E>

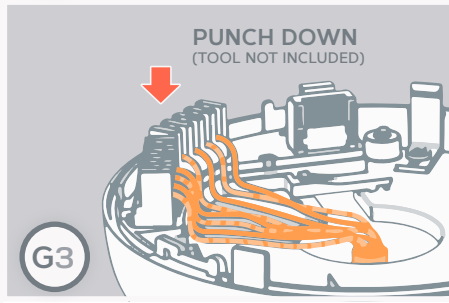
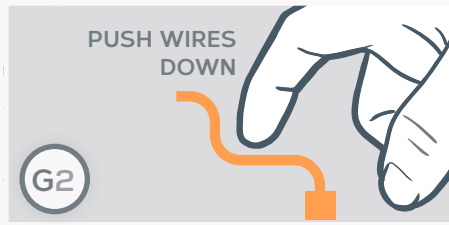
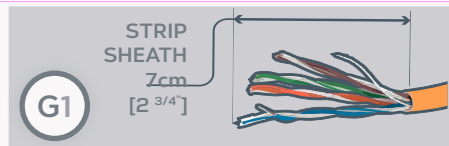
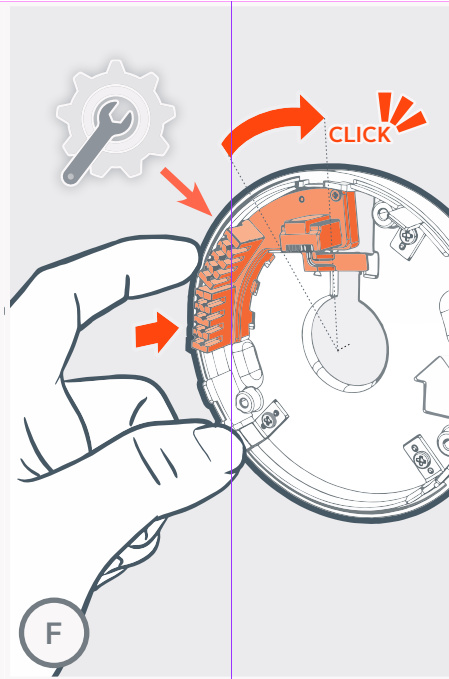
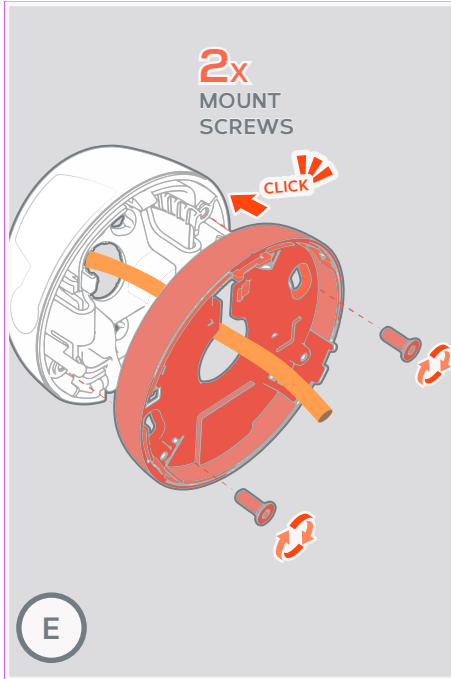


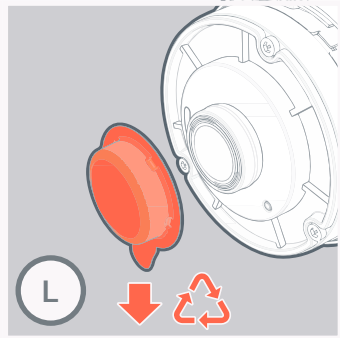
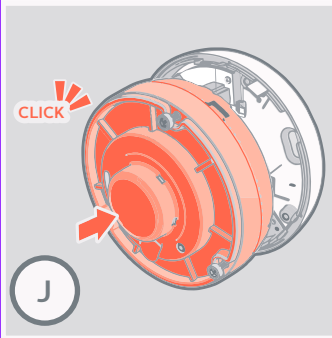
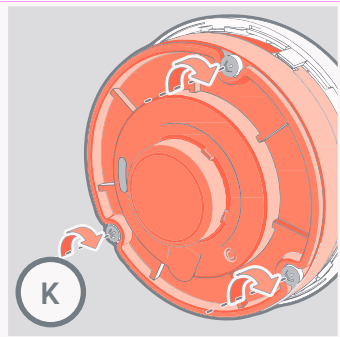
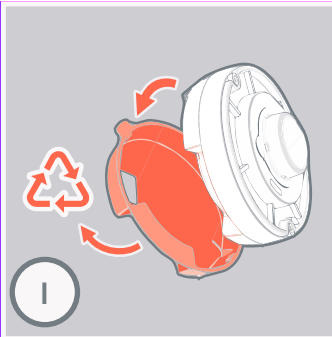
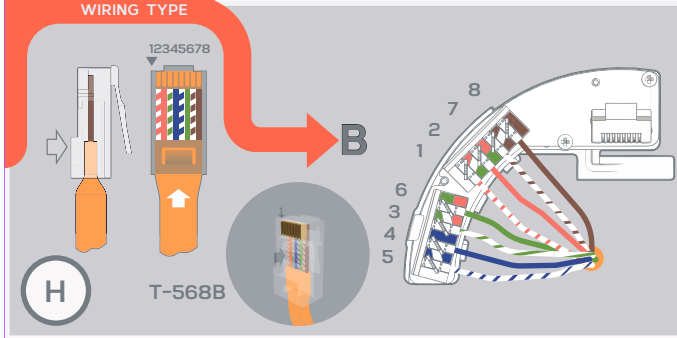
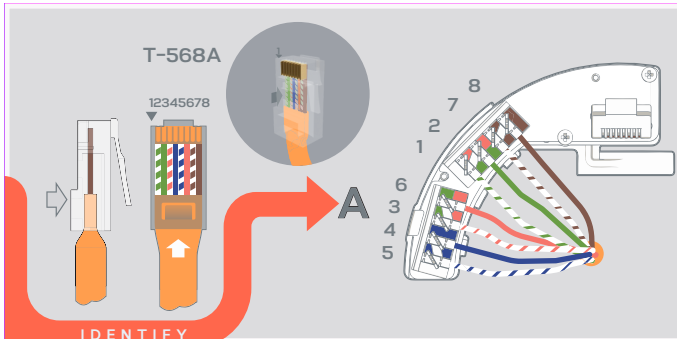
PUNCH DOWN INSTALLATION

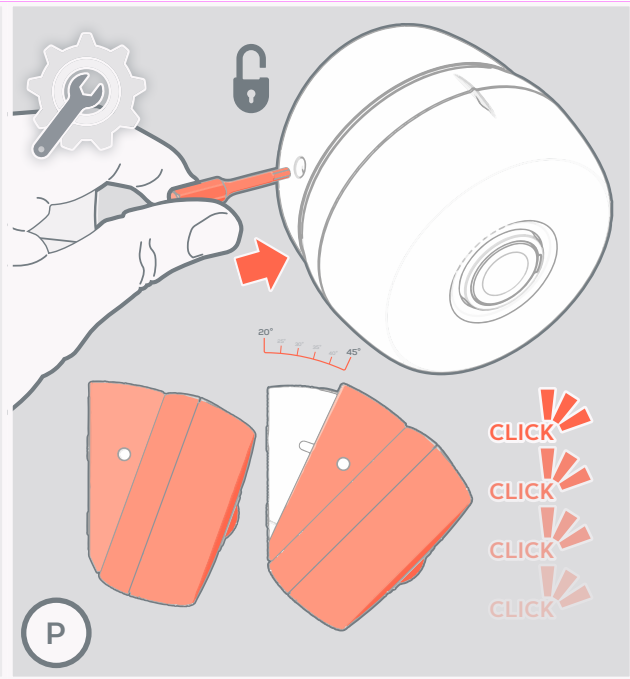
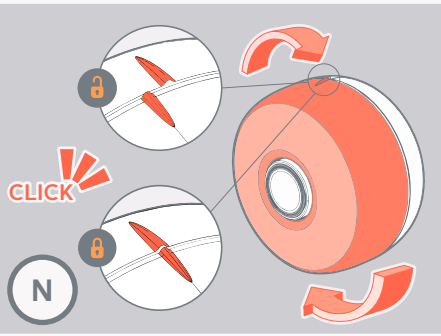
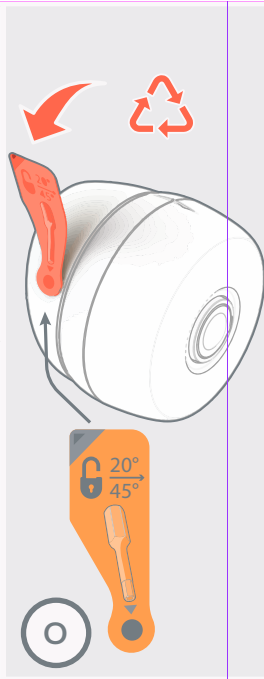
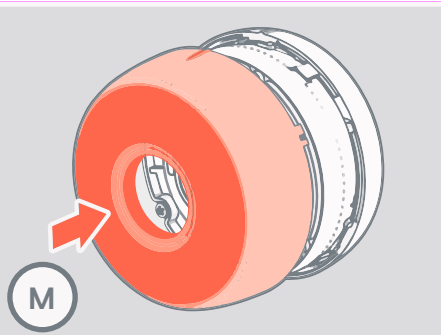


A





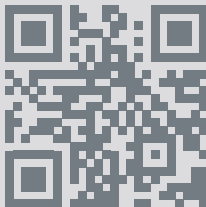






FOR MORE INFORMATION AND FIRST TIME SET UP GO
TO:

<https://bit.ly/3rsvl0E>



006-114-0564

© COPYRIGHT 2021 ONVU TECHNOLOGIES AG. ALL RIGHTS RESERVED.
ONCAM IS A TRADING NAME OF ONVU TECHNOLOGIES AG.
SUBJECT TO CHANGE WITHOUT NOTICE.

REVISION 1.0