

Evolution 05 and 12

360° Stainless Steel Cameras

The next step in 360° total situational awareness

5MP or 12MP sensor and no moving parts

5MP sensor

- Up to 30 fps video stream at 1 MP and ¼ MP
- 0.2 lux minimum illumination and electronic WDR

12MP high-resolution sensor

- Up to 30 fps at 2.0 MP
- 0.1 lux minimum illumination
- Constant 360° surveillance with no blind spots
- No moving parts, no maintenance and silent operation
- Up to 30 fps video stream at 1 MP and ¼ MP, or 2 MP
- 0.2 lux minimum illumination and electronic WDR
- PoE or 12 VDC powered
- 3-years warranty

Advanced features

- Local SD card slot for event recording
- Configurable privacy regions
- Polygonal video motion detection regions
- Local alarm digital input and output
- Audio microphone input

Uniquely suited for extreme environments

- Electropolished marine grade 316 stainless steel
- Designed for demanding industrial environments withstanding high pressure washes and corrosion
- IP69K rated for dust and water protection
- IK10 rating for vandalism protection
- Two mounting options available, surface and pendant

Applications

- Food and processing areas
- Industrial and chemical plants
- Vehicle wash stations
- Ports and marine applications
- High end architecture



Pendant Mount

EVO-05-PSK

EVO-12-PSK

Surface Mount

EVO-05-SSK

EVO-12-SSK

Extensive VMS/NVR platform integration with Oncam SDK

- Market leading Oncam 3D dewarping software
- Full Live and retrospective dewarping available
- Camera features are accessible through VMS platforms
- Simultaneous multiple video streams
- 10x digital zoom capability through client-side dewarping
- H.264 / MJPEG streaming with multiple quality levels
- Optimizes bandwidth and storage utilization
- Intuitive web-based interface for viewing and configuration
- Supported by major VMS / NVR systems
- ONVIF profile S conformant

Evolution 05 and 12

360° Stainless Steel Cameras



The next step in 360° total situational awareness

Model	Surface Mount Pole Mount	EVO-05-SSK EVO-05-PSK	EVO-12-SSK EVO-12-PSK
General			
Lens Field of View	180° Horizontal, 168° Vertical		180° Horizontal, 180° Vertical
Image Sensor	5 MP, Array Format 2592 H x 1944 V = 5,038,848 pixels and 1/2.5-Inch CMOS Sensor		4072 H x 3046 V, 12.4 MP (approximately), 1/2.3 in. Sony CMOS Sensor
Lens	185° / F2.0		
Minimum Illumination	0.2 lux = 50 IRE F/2.0		0.1 lux = 50 IRE F/2.0
Frame Rate	30 fps for 1 MP and ¼ MP resolution 15 fps for 2 MP resolution 10 fps for 4 MP full resolution		12 fps for maximum resolution
Video Motion Detection	8 configurable regions		
External Input	1x contact input		
External Output	1x contact output		
Security	Configurable password protection		
Advanced Event Management	Triggered by motion, external input or HTTP event, result configurable, external output, FTP/SMTP upload and local recording		
Networking	TCP/IP, HTTP, DHCP, DNS, NTP, FTP, SMTP and RSTP		
Privacy	10 configurable privacy regions		
SD Card	Built-in SD card slot. Supports cards up to 128 GB capacity. Speed class 10 or higher required.		
Audio Connections	Audio In through 3.5 mm jack, RTSP using G711 codec or ONVIF S		
Analog Video Out	Test port for production, not available in normal operation		
White Balance Range	Auto White Balance (Range = approximately 2500 K ~ 8000 K)		
Video			
Video Stream 1 Codec	H.264 High, Level 5 / MJPEG (streams configurable)		H.264 in 9.6 MP, 6 MP, 4 MP
Video Stream 1 Compression Level	Multi-levels of compression and frame rate adjustment		
Video Stream 1 Pixel Resolution	Fisheyes at: ¼ MP (528 x 480), 1 MP (1056 x 960), 2 MP (1488 x 1360), 4 MP (2144 x 1944)		Fisheyes at: 4 MP (2080 x 1960), 6 MP (2528 x 2376), 9.6 MP (3200 x 3000)
Video Stream 2 Codec	H.264 High, Level 5 / MJPEG (streams configurable)		H.264 in 4 MP, 2 MP, 1 MP and ¼ MP
Video Stream 2 Compression Level	Multi-levels of compression and frame rate adjustment		
Video Stream 2 Pixel Resolution	Fisheyes at: ¼ MP (528 x 480), 1 MP (1056 x 960), 2 MP (1488 x 1360), 4 MP (2144 x 1944)		Fisheyes at: ¼ MP (544 x 512), 1 MP (1056 x 992), 2 MP (1472 x 1384), 4 MP (2080 x 1960)
Video Stream 3 Codec	MJPEG		MJPEG in 4 MP, 2 MP, 1 MP and 1/4 MP
Video Stream 3 Compression Level	Multi-levels of compression and frame rate adjustment		
Video Stream 3 Pixel Resolution	Fisheye at: ¼ MP (528 x 480)		Fisheyes at: ¼ MP (544 x 512), 1 MP (1056 x 992), 2 MP (1472 x 1384), 4 MP (2080 x 1960)
* VCam Stream 4, 5, 6, 7 Codec	N/A		H.264 Only
* VCam Stream 4, 5, 6, 7 Compression Level	N/A		Multi-levels of compression and frame rate adjustment
* VCam Stream 4, 5, 6, 7 Pixel Resolution	N/A		4x independent onboard dewarped VCams at 1/4 MP and 1 MP
Image Control	Settings: brightness / contrast / saturation / exposure compensation, compression quality and wall / ceiling / table mount		
Image Enhancement	Electronic WDR 60dB		
PTZ Functionality	10x zoom with Oncam 3D client-side dewarping software		
VMS / NVR Support	Contact Oncam Sales for the supported VMS / NVR list		
Web Browser Compatibility	Internet Explorer 9, Edge 25, Firefox 23 and Chrome 29 or above. Plug-in required for full functionality		
Unicast	Up to 20 simultaneous users depending on the resolution settings		
Multicast	Supported for H.264 main camera stream		
Bit Rate Control	Options include Variable Bit Rate Control, Constant Bit Rate Control and Constant Quality Control		Options include Constant Bit Rate Control and Constant Quality Control

* Video Stream 2 and VCams cannot be used simultaneously.

Evolution 05 and 12

360° Stainless Steel Cameras

The next step in 360° total situational awareness



Model	Surface Mount Pole Mount	EVO-05-SSK EVO-05-PSK	EVO-12-SSK EVO-12-PSK
Electrical			
Ports		RJ45 2.1mm DC Input jack 6-pin 1.5mm Phoenix for external I/O BNC for test video output	
Network Cable Type		CAT5 or better for 100Base-TX	CAT5 or better for 1000Base-TX
Power Input		12 VDC, 1.0 A (min) LPS or NEC Class 2 power supply or Power over Ethernet (PoE), IEEE standard 802.3af	
Power Consumption (maximum)		4.05 W (PoE 48 VDC) / 3.19 W (DC 12 VDC)	8.4 W (PoE 48 VDC) / 7.32 W (DC 12 VDC)

Mechanical			
Camera Mount		Surface or Pendant mount	
Weight	Surface	5.68 kg (12.52 lbs)	5.64 kg (12.43 lbs)
	Pendant	6.30 kg (13.89 lbs)	6.34 kg (13.97 lbs)
Dimensions (L x W x H)	Surface	183 x 161 x 122 mm (7.2 x 6.3 x 4.8 in.)	
	Pendant	195 x 161 x 146 mm (7.7 x 6.3 x 5.7 in.)	
Housing Material		Electropolished marine grade 316 stainless steel with polymer bubble	

Environmental			
Operating temperature range		-40 to +55°C (-40 to +131°F)	
Ingress Protection		IP69K	
Impact Resistance		IK10	

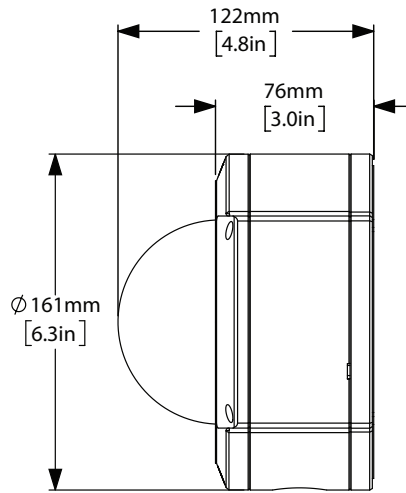
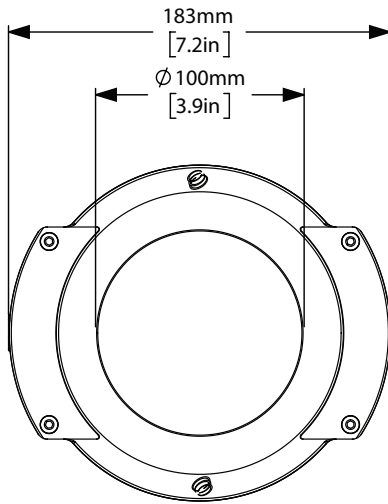
Certifications			
		IEEE802.3af, CE, AS/NZS CISPR 22:2009+A1:2010, CISPR 24:2010 (Class A), FCC, ICES-003, KCC, CU, RCM, SASO, UL 60950-1(ed.2) and CAN/CSA C22.2 No. 60950-1-07, RoHS, REACH, IP69K, IK10	

Camera includes			
	Surface Mount Description		Pendant Mount Description
	Surface Mounting Plate		Pendant Mount Adapter
	M20 to 3/4 inch Conduit Gland Adapter		Pipe Thread Adapter
			Sunshield

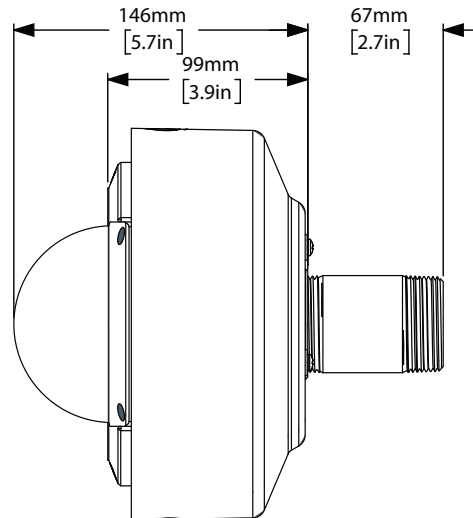
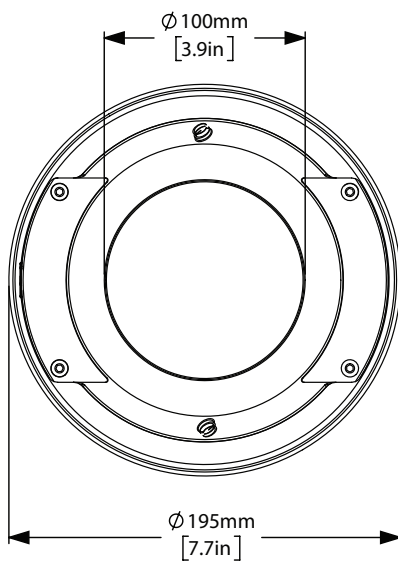
Evolution 05 and 12

360° Stainless Steel Cameras

The next step in 360° total situational awareness



Surface Mount



Pendant Mount

©2016, 2017 Oncam Global Group AG. All rights reserved.

Oncam Grandeye is the trade name of Oncam Global Group AG. Specifications and configurations subject to change without notice.

EVO-05_12-#SK-05_DS_rev E