

# Evolution 05 Mini

## 360° Night Camera

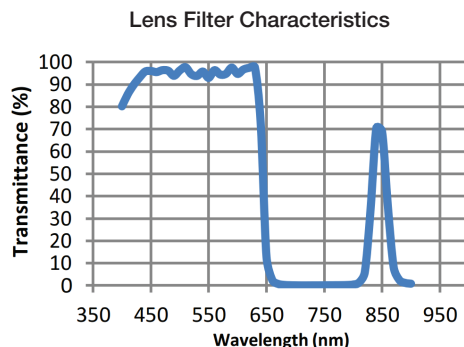
The next step in 360° total situational awareness

### 5 MP sensor and no moving parts

- Constant 360° surveillance with no blind spots
- No moving parts, no maintenance and silent operation
- Up to 30 fps video stream at 1 MP and ¼ MP
- 0.2 lux minimum illumination and electronic WDR
- PoE powered
- 3-years warranty

### IR optical filter

- Visible light + near infrared pass-band at 850 NM



### Advanced features

- microSD card slot for local event recording
- Configurable privacy regions
- Polygonal Video Motion Detection regions

### Multiple interior mount options

- Quick and easy installation
- Clean and simple design
- Convenient surface-mounting enclosure
- Range of accessories provide multiple mounting possibilities including ceiling, wall and pendant
- Enclosure available in Black and White



EVO-05-LJN - Black  
EVO-05-LIN - White

### Extensive VMS/NVR platform integration with Oncam SDK

- Market leading Oncam Grandeye 3D dewarping software
- Full live and retrospective dewarping available
- Camera features are accessible through VMS platforms
- Simultaneous multiple video streams
- 10x digital zoom capability through client-side dewarping
- H.264 / MJPEG streaming with multiple quality levels
- Optimizes bandwidth and storage utilization
- Intuitive web-based interface for viewing and configuration
- Supported by major VMS / NVR systems
- ONVIF profile S conformant

# Evolution 05 Mini



## 360° Night Camera

The next step in 360° total situational awareness

Model	EVO-05-LIN (White)	EVO-05-LJN (Black)
<b>General</b>		
Lens Field of View	180° Horizontal, 168° Vertical	
Image Sensor	2592 H x 1944 V, 5 MP, 1/2.5-inch Sony CMOS Sensor	
Lens	185° / F2.0	
Minimum Illumination	0.2 lux = 50 IRE F/2.0 (6500 K)	
Frame Rate	30 fps for 1 MP and ¼ MP resolution 15 fps for 2 MP resolution 10 fps for 4 MP full resolution	
Video Motion Detection	8 configurable regions	
Security	Configurable password protection	
Advanced Event Management	Triggered by motion, HTTP event, result configurable, FTP/SMTP upload and local recording	
Networking	TCP/IP, HTTP, DHCP, DNS, NTP, FTP, SMTP, RTSP and uPNP	
Privacy Regions	10 configurable privacy regions	
MicroSD Card	Built-in microSD card slot. Supports cards up to 128 GB capacity. Speed class 10 or higher required	
White Balance Range	Auto White Balance (Range = approximately 2500 K ~ 8000 K)	
<b>Video</b>		
Video Stream 1 & 2 Codec's	H.264 high, Level 5 / MJPEG (both streams configurable)	
Video Stream 1 & 2 Compression Level	Multi-levels of compression adjustment	
Video Stream 1 & 2 Pixel Resolution	Fisheyes at: ¼ MP (528 x 480), 1 MP (1056 x 960), 2 MP (1488 x 1360), 4 MP (2144 x 1944)	
Video Stream 3 Codec	MJPEG	
Video Stream 3	Multi-levels of compression and frame rate adjustment (15 fps max)	
Video Stream 3 Pixel Resolution	Fisheye at: ¼ MP (528 x 480)	
Image Control	Settings include brightness / contrast / saturation / exposure compensation, compression quality and wall / ceiling / table mount	
Image Enhancement	Electronic WDR 60 dB	
PTZ Functionality	10x zoom with Oncam Grandeye 3D client-side dewarping software	
VMS / NVR Supported	Contact Oncam Sales for the supported VMS / NVR list	
Web Browser Compatibility	Internet Explorer 9, Edge 25, Firefox 23 and Chrome 29 or above. Plug-in required for full functionality	
Number of Unicast Users Supported	Up to 20 simultaneous users depending on the resolutions settings	
Bit Rate Control	Options include Variable Bit Rate Control, Constant Bit Rate Control and Constant Quality Control	
<b>Electrical</b>		
Connection	Flying lead - RJ45 plug	
Network Cable Type	CAT5 or better for 100Base-TX	
Power Input	Power over Ethernet (PoE), IEEE standard 802.3af	
Power Consumption (maximum)	4.13 W	

# Evolution 05 Mini







## 360° Night Camera

The next step in 360° total situational awareness

Mechanical	
Camera Mount	Surface mount
Weight	0.22 kg (0.48 lbs)
Dimensions (Diameter x Depth)	107 mm (4.2 in.) x 34 mm (1.3 in.)
Housing Material	Polymer

Environmental	
Operating Temperature Range	0 to +40°C (-32 to +104°F)
Operating Humidity	Up to 98% non-condensing
Ingress Protection	IP40

Certifications	
Approvals	IEEE802.3af, CE, AS/NZS CISPR 22:2009+A1:2010, CISPR 24:2010 (Class A), FCC, ICES-003, KCC, CU, RCM, SASO UL 60950-1(ed.2) & CAN/CSA C22.2 No. 60950-1-07, RoHS, REACH

Accessories		
	Part Number	Description
	OBE-11-IWA (White) OBE-11-IBA (Black)	IK10+ vandal resistant bubble trim  The bubble trim is made of optical grade polymer.
	OBE-16-OWA (White) OBE-16-OBA (Black)	M20 conduit back box  Fitted for the camera back and provides three entry points for easy cabling through M20 size conduits. Coil excess cable within back box.
	OBE-13-IBA	Pendant Mount Adapter  M32 female thread; supplied with M32 to 1½ NPT male thread adaptor. Fit onto the camera back.
	OBE-17-OWA (White) OBE-17-OBA (Black)	Indoor Mounting Kit  Includes a Pendant Mount Adapter and Conduit Back Box.

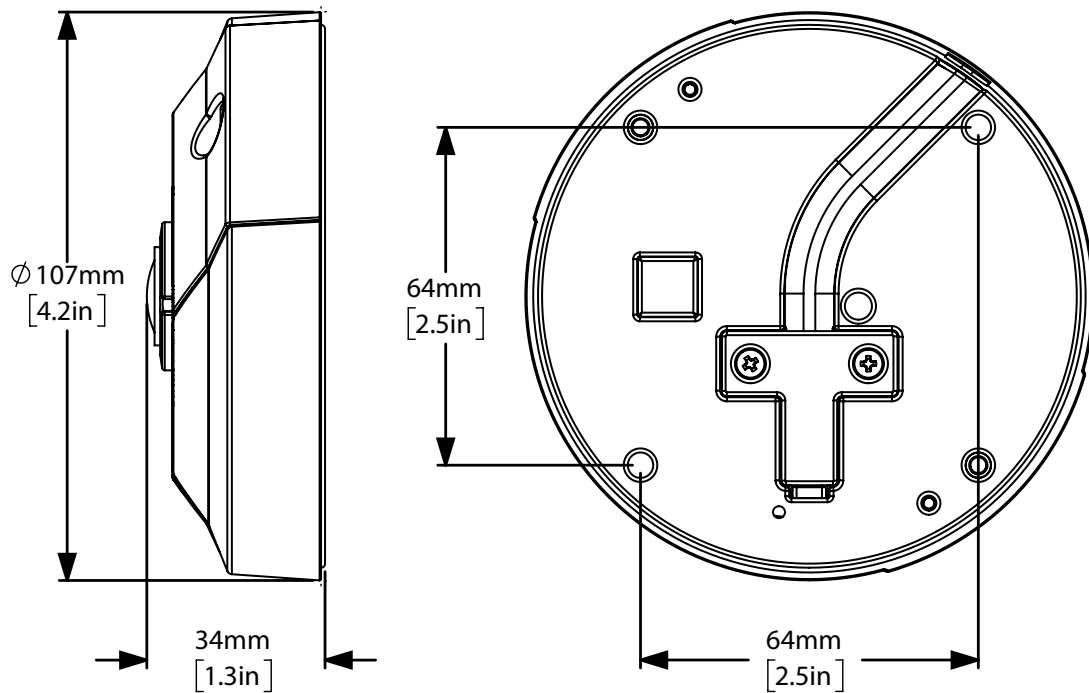
# Evolution 05 Mini



## 360° Night Camera

The next step in 360° total situational awareness

### Dimensions



©2014 - 2017 Oncam Global Group AG. All rights reserved.

Oncam Grandeye is the trade name of Oncam Global Group AG. Specifications and configurations subject to change without notice.

EVO-05-L#N-02\_2017.01