

Evolution 05 Mini

360° Panel-Mount Camera

The next step in 360° total situational awareness

5 MP sensor and no moving parts

- Constant 360° surveillance with no blind spots
- No moving parts, no maintenance and silent operation
- Up to 30 fps video stream at 1 MP and ¼ MP
- 0.2 lux minimum illumination and electronic WDR
- PoE powered
- 3-years warranty

Advanced features

- microSD card slot for local event recording
- Configurable privacy regions
- Polygonal Video Motion Detection regions

Unique panel mount design

- Specifically designed for mounting behind a thin panel
- Fits 1 mm to 3 mm (0.04 to 0.12 in.) panel thickness
- Blends into the installation environment
- Spray-paint to match your environment
- EN50155 / EN45545 transport certification
- Options available include RJ45 or M12 connections

ONVIF | S



Extensive VMS/NVR platform integration with Oncam SDK

- Market leading Oncam 3D dewarping software
- Full Live and retrospective dewarping available
- Camera features are accessible through VMS platforms
- Simultaneous multiple video streams
- 10x digital zoom capability through client-side dewarping
- H.264 / MJPEG streaming with multiple quality levels
- Optimizes bandwidth and storage utilization
- Intuitive web-based interface for viewing and configuration
- Supported by major VMS / NVR systems
- ONVIF profile S conformant

Evolution 05 Mini

360° Panel Mount Camera



The next step in 360° total situational awareness

Model	EVO-05-LCD (Black) EVO-05-LDD (White)	EVO-05-LCM (Black) EVO-05-LDM (White)
Connector	RJ45	M12
General		
Lens Field of View	180° Horizontal, 168° Vertical	
Image Sensor	2592 H x 1944 V, 5 MP, 1/2.5-inch Sony CMOS Sensor	
Lens	185° / F2.0	
Minimum Illumination	0.2 lux = 50 IRE F/2.0 (6500 K)	
Frame Rate	30 fps for 1 MP and ¼ MP resolution 15 fps for 2 MP resolution 10 fps for 4 MP full resolution	
Video Motion Detection	8 configurable regions	
Security	Configurable password protection	
Advanced Event Management	Triggered by motion, HTTP event, result configurable, FTP/SFTP upload and local recording	
Networking	TCP/IP, HTTP, DHCP, DNS, NTP, FTP, SMTP, RTSP and uPNP	
Privacy Regions	10 configurable privacy regions	
MicroSD Card	Built-in microSD card slot. Supports cards up to 128 GB capacity. Speed class 10 or higher required	
White Balance Range	Auto White Balance (Range = approximately 2500 K ~ 8000 K)	
Video		
Video Stream 1 & 2 Codec's	H.264 high, Level 5 / MJPEG (both streams configurable)	
Video Stream 1 & 2 Compression Level	Multi-levels of compression adjustment	
Video Stream 1 & 2 Pixel Resolution	Fisheyes at: ¼ MP (528 x 480), 1 MP (1056 x 960), 2 MP (1488 x 1360), 4 MP (2144 x 1944)	
Video Stream 3 Codec	MJPEG	
Video Stream 3	Multi-levels of compression and frame rate adjustment (15 fps max)	
Video Stream 3 Pixel Resolution	Fisheye at: ¼ MP (528 x 480)	
Image Control	Settings include brightness / contrast / saturation / exposure compensation, compression quality and wall / ceiling / table mount	
Image Enhancement	Electronic WDR 60 dB	
PTZ Functionality	10x zoom with Oncam Grandeye 3D client-side dewarping software	
VMS / NVR Supported	Contact Oncam Sales for the supported VMS / NVR list	
Web Browser Compatibility	Internet Explorer 9, Edge 25, Firefox 23 and Chrome 29 or above. Plug-in required for full functionality	
Number of Unicast Users Supported	Up to 20 simultaneous users depending on the resolutions settings	
Bit Rate Control	Options include Variable Bit Rate Control, Constant Bit Rate Control and Constant Quality Control	
Electrical		
Connection	Flying lead - RJ45 plug	Flying lead - M12 socket
Network Cable Type	CAT5 or better for 100Base-TX	
Power Input	Power over Ethernet (PoE), IEEE standard 802.3af	
Power Consumption (maximum)	4.13W	

Evolution 05 Mini

360° Panel Mount Camera




The next step in 360° total situational awareness

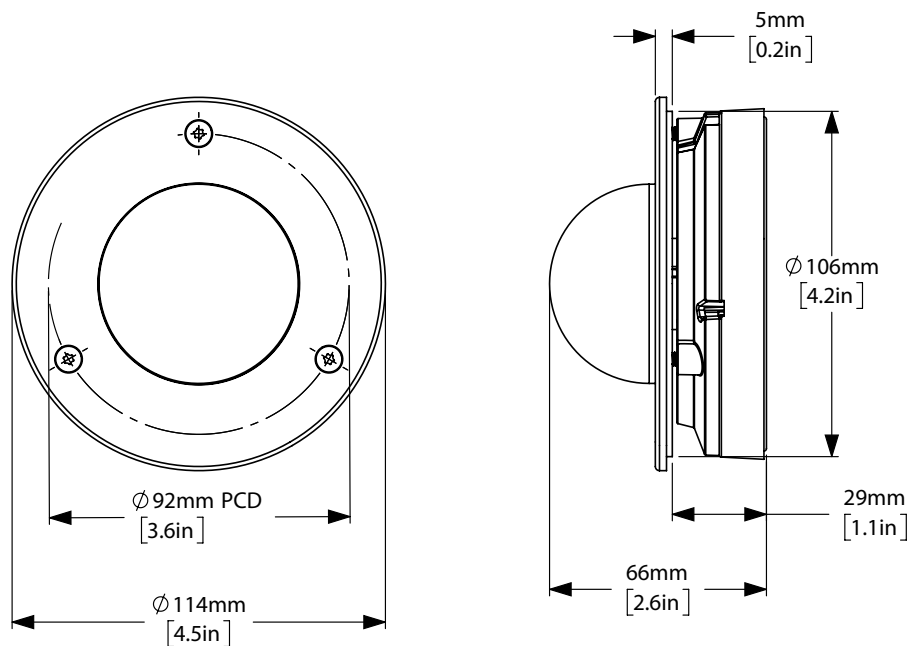
Mechanical	
Camera Mount	Panel mount
Weight	0.20 kg (0.44 lbs)
Dimensions (Diameter x Depth)	114 x 68 mm (4.5 x 2.7 in.)
Housing Material	Polymer

Environmental	
Operating Temperature Range	0 to +40°C (-32 to +104°F)
Operating Humidity	Up to 98% non-condensing
Ingress Protection	IP40

Certifications	
Approvals	IEEE802.3af, CE, AS/NZS CISPR 22:2009+A1:2010, CISPR 24:2010 (Class A), FCC, ICES-003, KCC, CU, RCM, SASO, EN50155/EN45545, UL 60950-1(ed.2) & CAN/CSA C22.2No. 60950-1-07, RoHS, REACH

Accessories		
	Part Number	Description
	OBE-15-IWA (White)	IK10 vandal resistant bubble trim
	OBE-15-IBA (Black)	The bubble trim is made of optical grade polymer.

Dimensions



©Copyright 2015 - 2017 Oncam Global Group AG. All rights reserved.

Oncam Grandeye is the trade name of Oncam Global Group AG. Specifications and configurations subject to change without notice.

EVO-05-L#D-05_2017.01