

Evolution 05

360° Indoor Concealed Camera

The next step in 360° total situational awareness

5 MP sensor and no moving parts

- Constant 360° surveillance with no blind spots
- No moving parts, no maintenance and silent operation
- Up to 30 fps video stream at 1 MP and ¼ MP
- 0.2 lux minimum illumination and electronic WDR
- PoE or 12 VDC powered
- 3-year warranty

Advanced features

- Local SD card slot for event recording
- Configurable privacy regions
- Polygonal video motion detection regions
- Local alarm digital input and output
- Audio microphone input

A truly discreet installation

- Quick and easy installation
- Light weight enclosure that can be completely concealed behind ceiling or wall voids
- Camera mount can be spray-painted to match your environment
- Up to 25 mm (1 in.) ceiling / wall thickness



EVO-05-NCD

Black and White
Bezel Included

Extensive VMS / NVR platform integration with Oncam SDK

- Market leading Oncam 3D dewarping software
- Full live and retrospective dewarping available
- Camera features are accessible through VMS platforms
- Simultaneous multiple video streams
- 10x digital zoom capability through client-side dewarping
- H.264 / MJPEG streaming with multiple quality levels
- Optimizes bandwidth and storage utilization
- Intuitive web-based interface for viewing and configuration
- Supported by major VMS / NVR systems
- ONVIF profile S and G conformant

Evolution 05



360° Indoor Concealed Camera

The next step in 360° total situational awareness

Model	EVO-05-NCD
General	
Lens Field of View	180° Horizontal, 168° Vertical
Image Sensor	2592 H x 1944 V, 5 MP, 1/2.5-inch CMOS Sensor
Lens	185° / F2.0
Minimum Illumination	0.2 lux = 50 IRE F/2.0 (6500 K)
Frame Rate	30 fps for 1 MP and ¼ MP resolution 15 fps for 2 MP resolution 10 fps for 4 MP full resolution
Video Motion Detection	8 configurable regions
External Input	1x contact input
External Output	1x contact output
Security	Configurable password protection and 802.1x
Advanced Event Management	Triggered by motion, external input or HTTP event, result configurable, external output, FTP/SFTP upload and local recording
Networking	TCP/IP, HTTP, DHCP, DNS, NTP, FTP, SMTP, RTSP and SNMP
Privacy Regions	10 configurable privacy regions
SD Card	Built-in SD card slot. Supports cards up to 128 GB capacity. Speed class 10 or higher required SD Card recording and ONVIF G
Audio Connections	Audio In through 3.5 mm jack, RTSP using G711 codec or ONVIF S
Analog Video Out	Test port for production, not available in normal operation
White Balance Range	Auto White Balance (Range = approximately 2500 K ~ 8000 K)
Video	
Video Stream 1 Codec	H.264 High, Level 5 / MJPEG (streams configurable)
Video Stream 1 Compression Level	Multi-levels of compression and frame rate adjustment
Video Stream 1 Pixel Resolution	Fisheyes at: 4 MP (2144 x 1944), 2 MP (1488 x 1360), 1 MP (1056 x 960), ¼ MP (528 x 480)
Video Stream 2 Codec	H.264 High, Level 5 / MJPEG (streams configurable)
Video Stream 2 Compression Level	Multi-levels of compression and frame rate adjustment
Video Stream 2 Pixel Resolution	Fisheyes at: 4 MP (2144 x 1944), 2 MP (1488 x 1360), 1 MP (1056 x 960), ¼ MP (528 x 480)
Video Stream 3 Codec	MJPEG
Video Stream 3 Compression Level	Multi-levels of compression and frame rate adjustment
Video Stream 3 Pixel Resolution	Fisheye at: ¼ MP (528 x 480)
Maximum Frame Rate	30 fps
Image Control	Settings: brightness / contrast / saturation / exposure compensation, compression quality and wall / ceiling / table mount
Image Enhancement	Electronic WDR 60dB
PTZ Functionality	10x zoom with Oncam 3D client-side dewarping software
VMS / NVR Support	Contact Oncam Sales for the supported VMS / NVR list
Web Browser Compatibility	Internet Explorer 9, Edge 25, Firefox 23 and Chrome 29 or above. Plug-in required for full functionality
Unicast	Up to 20 simultaneous users depending on the resolution settings
Multicast	Supported for all H.264 camera streams
Bit Rate Control	Options include Variable Bit Rate Controls, Constant Bit Rate Control and Constant Quality Control

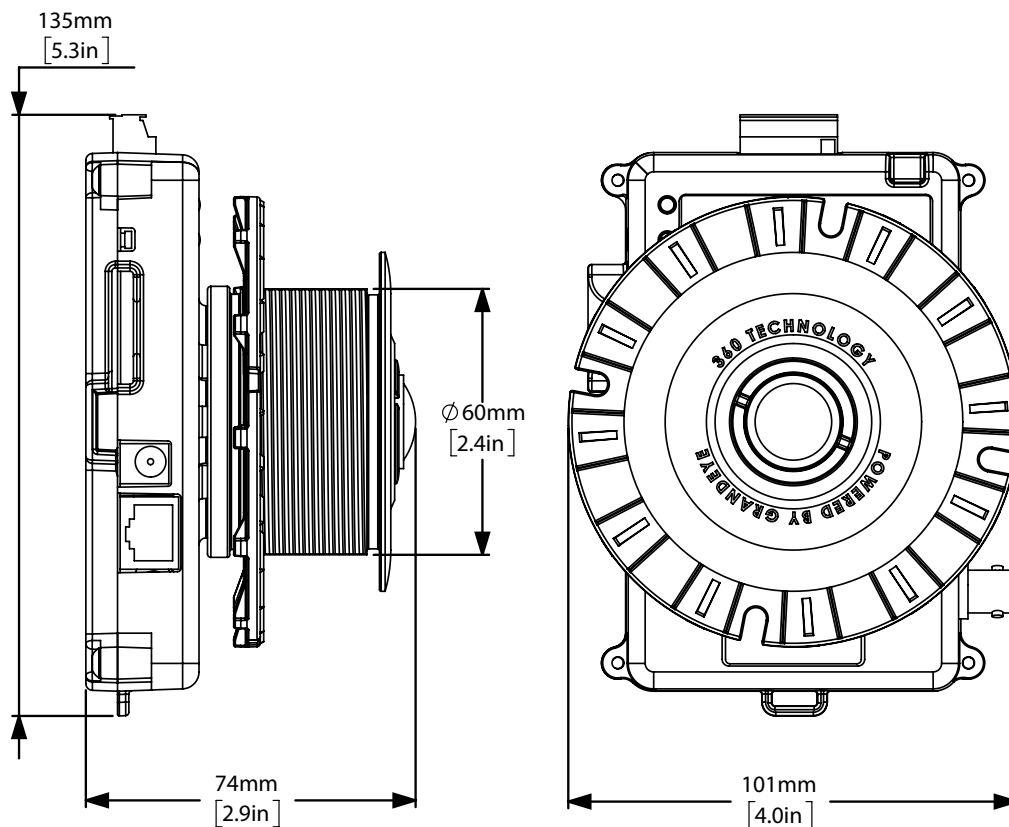
Evolution 05



360° Indoor Concealed Camera

The next step in 360° total situational awareness

Electrical	
Ports	RJ45 for 100Base-TX 2.1 mm DC Input jack 6-pin 1.5 mm Phoenix for external I/O BNC for test video output
Network Cable Type	CAT5 or better for 100Base-TX
Power Input	12 VDC, 1.0 A (min) LPS or NEC Class 2 power supply or Power over Ethernet (PoE), IEEE standard 802.3af
Power Consumption (maximum)	4.05 W (PoE 48 VDC) / 3.19 W (DC 12 VDC)
Mechanical	
Camera Mount	Indoor Concealed Mount
Weight	0.35 kg (0.77 lbs)
Dimensions	Diameter cut out 60 mm (2.4 in.); Ceiling or wall material thickness up to 25 mm (1 in.)
Housing Material	Polymer
Environmental	
Operating Temperature Range	0 to +40° C (-32 to +104° F)
Operating Humidity	Up to 98% non-condensing
Ingress Protection	IP20
Certifications	
Approvals	IEEE802.3af, CE, AS/NZS CISPR 32:2015/COR1:2016, CISPR 24:2010 +A1:2015 (Class A), FCC, ICES-003 Issue 6-2016, KCC, CU, RCM, SASO, IP20 UL 60950-1(ed.2) & CAN/CSA C22.2 No. 60950-1-07, RoHS, REACH
Dimensions	



©Copyright 2016-2020 Oncam Global Group AG. All rights reserved.

Oncam Grandeye is the trade name of Oncam Global Group AG. Specifications and configurations subject to change without notice.

EVO-05-NCD-02_2020.11