

ONCAM C-12 OUTDOOR PLUS

ONCAM C-12 SERIES KEY FEATURES

INDUSTRY LEADING FRAME RATES

Capture every movement in sharp detail with market leading **55 fps at full 9MP** resolution or **maintain** your chosen frame rate up to **30 fps** on primary stream with 3 other streams running. Alternatively, experience best in class performance of **25 fps with TrueDetail HDR**.

STREAMLITE COMPRESSION TECHNOLOGY

Lower bandwidth and storage by an **average of 50% or more** on both H.264 and H.265, and over 90% when there is no motion and Dynamic FPS is enabled. Integrated VMS / NVR partners have access to **StreamLite+**, and can achieve an additional **20%** thanks to **ColorMap Compression**⁵.

TRUEDetail HDR TECHNOLOGY

Reveal the lost details in both dark and bright areas of the same scene. Correctly expose every detail with dual concurrent exposures.

ADVANCED LIGHT MANAGEMENT TECHNOLOGY

Dynamically manage the available light to optimize image quality to **produce clearer, full-color, lower noise videos**. Maintain the sharpness of static or moving objects in challenging low and mixed light conditions.

PLUS BOARD FEATURES

- 8-28 VDC support
- Alarm I/O support x2 in x1 out



C12-OPC1-0

FEATURE-RICH SURVEILLANCE

- Powerful, robust and feature-rich 12MP camera, built upon Oncam's expertise in 360-degree IP video technology
- Crisp images in tough external conditions
- IP66, IP67, IP68, IP69K and IK10 rated, offering protection in harsh environments and against vandalism.
- Plus Board features make the camera perfect for more demanding installations
- Range of mounting options and accessories for added versatility
- Optional Heater Module for cold starting in temperatures as low as -40°C / -40°F
- Market leading 3D dewarping software supported by major VMS / NVR partners
- 5-year warranty

- LED Lamp support x2
- Audio support

Technical Specifications

General

Field of view	180° Horizontal, 180° Vertical
Image sensor	12.4MP (approx.) CMOS sensor
Lens	180°, all-glass, fixed focus fisheye
Day/Night IR cut filter	Automatic, manual
Minimum illumination	0.1 lux at 50 IRE F/2.0
Video motion detection	16 configurable polygonal regions
External alarm	2x contact input 1x contact output
External LED control	2x contact output
Audio input	Audio IN through screw terminal connections, G.711/AAC codec
Audio input level	MIC input level range is approximately 5 mV to 50 mV
Advanced event management	Configurable Triggers: Motion regions, External contact input, Network message, Link down Configurable Actions: External contact output, SMTP (snapshot), Local recording, LED output
Networking	IPv4, TCP/IP, UDP, HTTP, DHCP, DNS, NTP, SMTP, RTP, RTSP, WEB RTC, RTCP, HTTPS, WS-Discovery, TLS, ARP and SNMP v2c or V3
Privacy	5 configurable privacy regions/masks
SD card	Built in MicroSD card slot, up to 512GB (FAT32), minimum class 10
White balance Range	Auto White Balance (Range = approx. 2,500 K ~ 8,000 K)
Security	Password protection WS-Username token RTSP authentication HTTP Digest authentication Authorization levels Brute force protection IP address filtering User access log Encrypted TLS 1.2 HTTPS encryption IEEE 802.1x Authentication EAP-MD5, EAP-TLS, EAP-PEAP
Video	
Frame rate	max 55 fps at full resolution ¹ or 25 fps with TrueDetail HDR
Video compression	H.264, H.265, MJPEG and VP8 (WEB RTC)
Smart compression	StreamLite H.264 and H.265 StreamLite+ H.264 and H.265 (with ColorMap compression ⁵)

Fisheye stream 1 (Primary - 360° Fisheye Stream H.264/H.265)	55 fps ¹ : 2992 x 2992 (9.0 MP, max resolution) 30 fps when multi-streaming ² Up to 60 fps ¹ : 2800 x 2800 (7.8 MP) 2304 x 2304 (5.3 MP) 1920 x 1920 (3.7 MP) 1440 x 1440 (2.1 MP) 992 x 992 (0.98 MP) 512 x 512 (0.26 MP) ³
Fisheye stream 2⁴ (Secondary - 360° Fisheye Stream H.264/H.265)	Up to 15 fps: 2992 x 2992 (9.0 MP, max resolution) 2800 x 2800 (7.8 MP) 2304 x 2304 (5.3 MP) 1920 x 1920 (3.7 MP) 1440 x 1440 (2.1 MP) 992 x 992 (0.98 MP) 512 x 512 (0.26 MP) ³
Fisheye stream 3 (Tertiary - 360° Fisheye Stream H.264/H.265)	Up to 30 fps: 1920 x 1920 (3.7 MP, max resolution) 1440 x 1440 (2.1 MP) 992 x 992 (0.98 MP) 512 x 512 (0.26 MP) ³
Fisheye stream 4 (Low resolution - 360° Fisheye Stream H.264/H.265/MJPEG)	Up to 10 fps: 512 x 512 (0.26 MP, max resolution) ³
Multi-stream capacity	4 multiple streams can run concurrently. Fisheye stream 1 maintains a frame rate of 30 fps ²
Image settings	Brightness, contrast, saturation, sharpness, exposure compensation, exposure priority, imaging preference, text overlay, 180° rotate, multiple color spaces
Image enhancement	TrueDetail HDR up to 25 fps. TrueDetail HDR maximum dynamic range 120dB
PTZ functionality	10x zoom with Oncam 3D client-side dewarping software
VMS/NVR support	ONVIF Profile S, G and T conformant. Contact Oncam for the up-to-date VMS compatibility list
Web browser compatibility	Supported minimum browsers versions: Chrome 84, Firefox 79, Edge 84 and Safari 13.1
Unicast	Up to 20 simultaneous users depending on the resolution settings
Multicast	Supported for all streams
Bit rate control	Fixed Quality (Capped Bitrate) or Constant Bit Rate

¹ Single stream only, exposure priority set to frame rate, 60Hz
Max achievable fps is dependant on VMS support

² Maintain 30 fps ±5%. 25 fps in TrueDetail HDR Mode, 60Hz

³ MJPEG at 10 fps, <5,000 kbps supported

⁴ Resolution shared with Fisheye stream 1 in TrueDetail HDR Mode

⁵ Dependent on VMS support

Electrical

Ports	RJ45 for 100/1000BASE-Tx
Power input	Power over Ethernet (PoE), IEEE standard 802.3af. Screw Terminals, 8-28 VDC, 15W LPS, NEC Class 2 power supply.
Power consumption (maximum)	< 12.95W (IEEE 802.3af, PoE 48VDC) < 12.95W (DC 8-28VDC)

Mechanical

Camera mount	Surface and Pendant
Weight	1.00 kg (2.20 lbs)
Dimensions (D x W x H)	150 x 150 x 88 mm (5.9 x 5.9 x 3.4 in)

Environmental

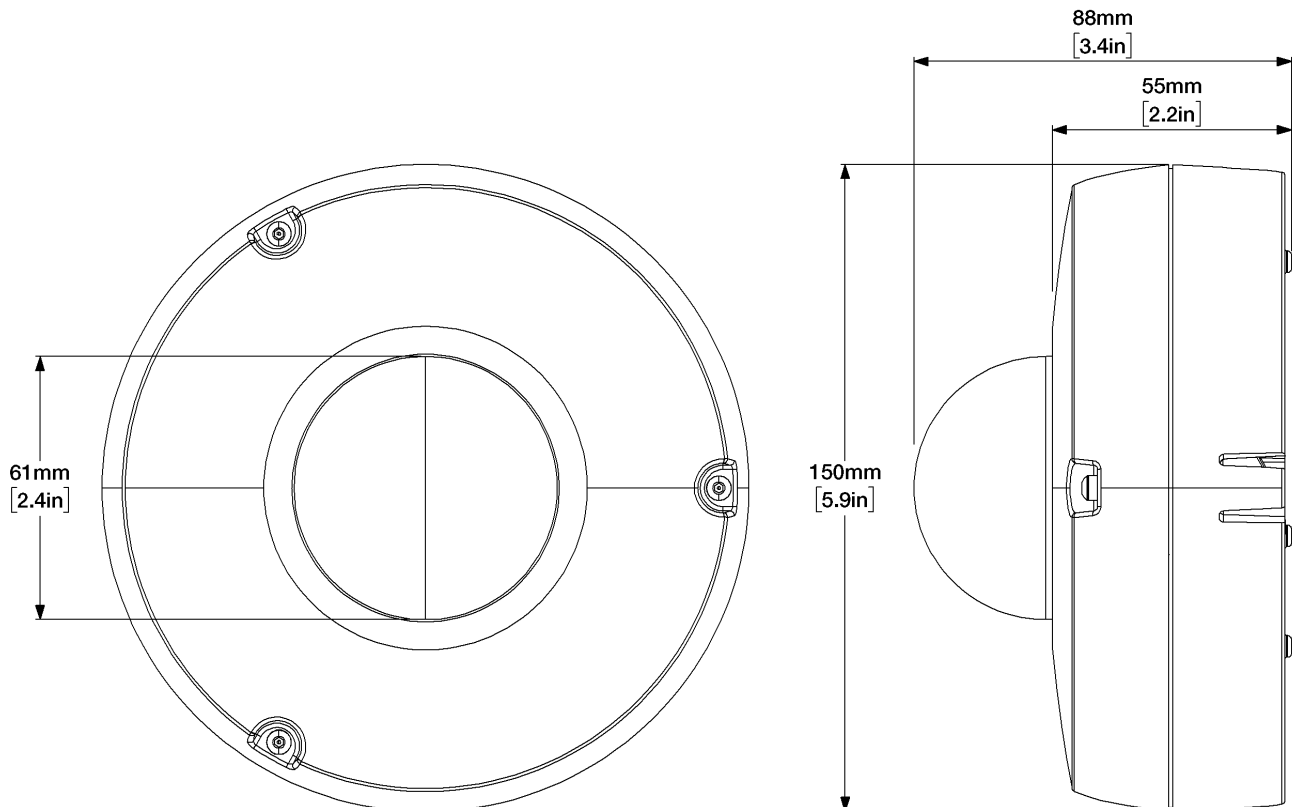
Operating temperature range	-40° C to +55° C (-40 to +131° F)
Cold start temperature range	-20° C to +55° C (-4 to +131° F)
Cold start temperature range with optional heater	-40° C to +55° C (-40 to +131° F)

Operating Humidity	up to 95% Relative Humidity non-condensing
Ingress protection	IP66, IP67, IP68 and IP69K
Impact resistance	IK10

Certifications

Approvals	IEEE802.3af
	CE
	AS/NZS CISPR 32:2015
	EN 55032: 2015+AC:2016, Class B
	EN 55035:2017
	FCC
	ICES-003 Issue 6-2016, Class B
	UL/cUL 62368-1
	UL60950-part 22
	RoHS
	REACH
	IP66, IP67, IP68, IP69K and IK10
	BIS IS13252(Part1), IEC 60950-1
	NEMA Type 4 & 6

Dimensions



Optional Accessories

Outdoor Pendant Kit

SKU Number CA-OPK1-O

Pendant Mount Adaptor

Sunshield

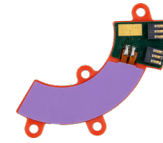


Thread	1½" NPT
	Male
Construction	ADC12 Aluminium
Form factor	Low profile
Installation	Pendant mount
Weight	0.20kg (0.44 lb)
Dimensions	Ø145mm (5.7in)

Construction	ADC12 Aluminium
Installation	Pendant mount
Weight	0.26kg (0.57 lb)
Dimensions	Ø170mm (6.7in)
Assembled	

Heater Module

SKU Number CA-GHM1-O



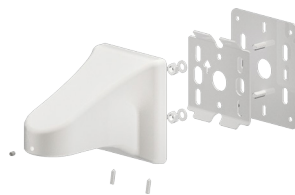
Installation	Base of camera module
Operating temperature	As low as -40°C/°F
Functionality	Automatic on/off
Weight	0.05kg (0.11 lb)
Dimensions	68mm (2.7in)

Pole Mount Bracket



SKU Number	OBE-03-OWA
Thread	1½" NPT
	Female
Weight	0.61kg (1.34 lbs)
Dimensions (D x W x H)	265 x 130 x 114 mm (10.4 x 5.1 x 4.5 in)

Wall Mount Bracket



SKU Number	OBE-04-OWA
Thread	1½" NPT
	Female
Weight	0.41kg (0.9 lb)
Dimensions (D x W x H)	150 x 94 x 114 mm (5.9 x 3.7 x 4.5 in)

Corner Wall Bracket



SKU Number	OBE-05-OWA
Thread	1½" NPT
	Female
Weight	0.62kg (1.36 lbs)
Dimensions (D x W x H)	295 x 185 x 114 mm (11.6 x 7.3 x 4.5 in)

006-0064-0518 Revision C

© Copyright 2020 ONVU Technologies AG. All rights reserved. Oncam is a trading name of ONVU Technologies AG. Specifications and configurations subject to change without notice. "ONCAM" and the "ONCAM logo" are trademarks, and in some cases registered or protected trademarks, of Oncam Global Limited and/or Oncam Global, Inc., including under registration in the UK, India and in the U.S. Patent and Trademark Office. All other trademarks are the property of their respective owners.

Oncam Global Ltd | Building 4, Chiswick Park | 566 Chiswick High Road | London W4 5YE | United Kingdom
 oncamgrandeye.com | +44 (0)20 7371 6640 | info@oncamgrandeye.com